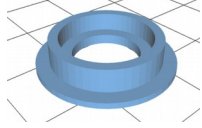
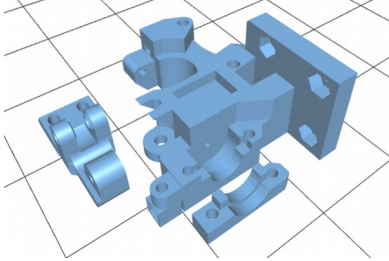
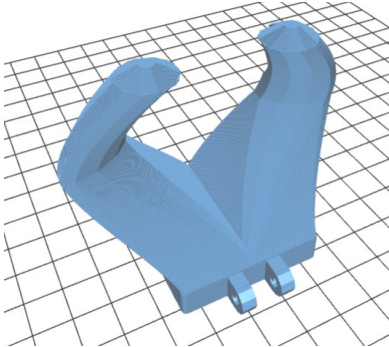
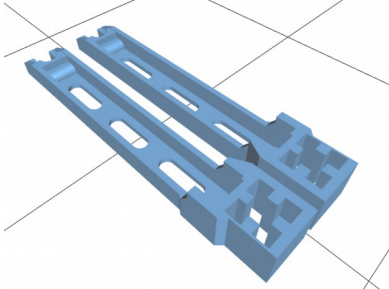
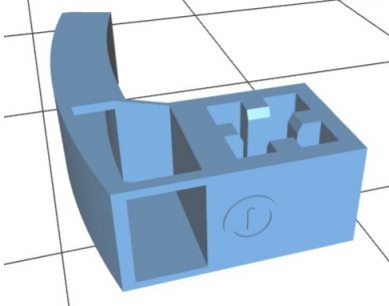
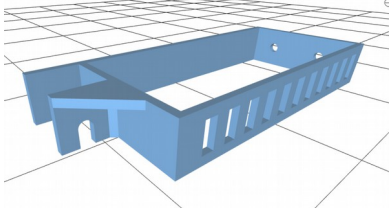
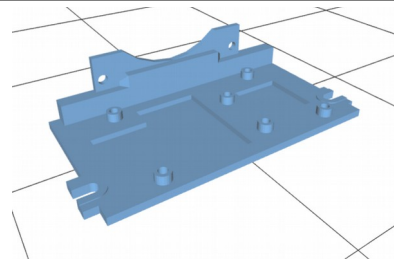


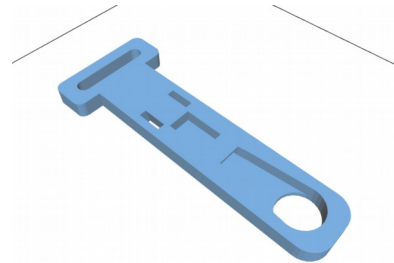
## Wilson II Printed parts guide

Belt-guide-624.stl (4)	
Extruder-direct-drive.stl (3 pieces)	
Fanduct-e3dlite6.stl	
Filament-mount.stl (2 pieces)	
Power-switch-mount.stl	
Psu-mount.stl (2)	

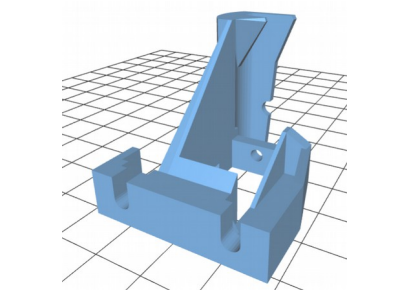
Ramps-mount.stl



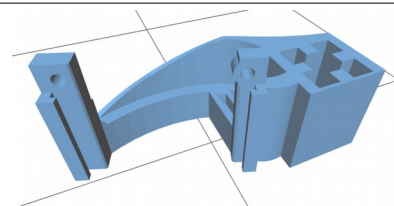
Servo-endstop-holder.stl



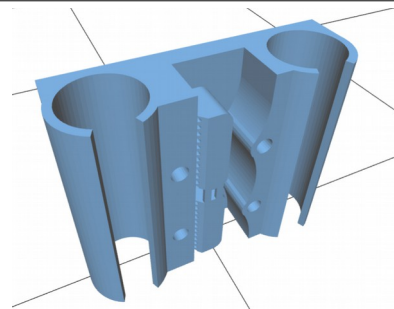
Servo-mount.stl



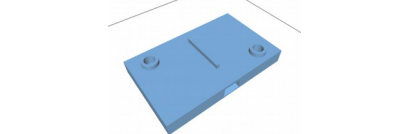
Smartlcd-mount.stl



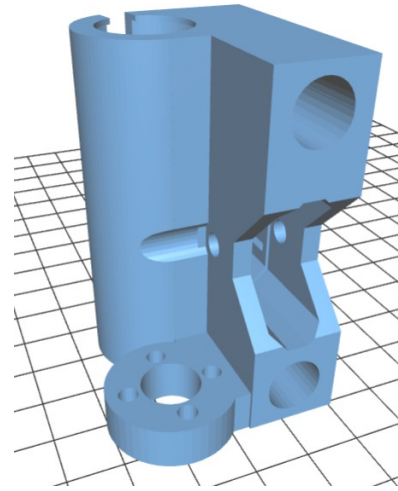
X-carriage.stl



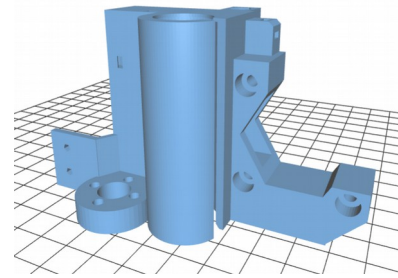
Lm2596-mount.stl



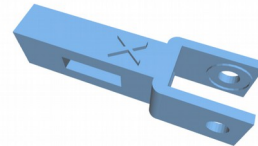
x-end-idler.stl



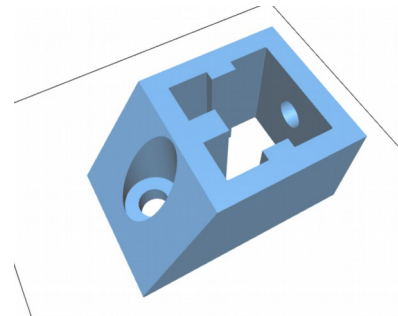
x-end-motor.stl



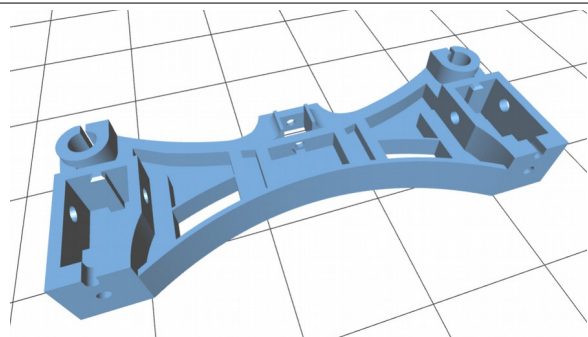
x-tensioner.stl



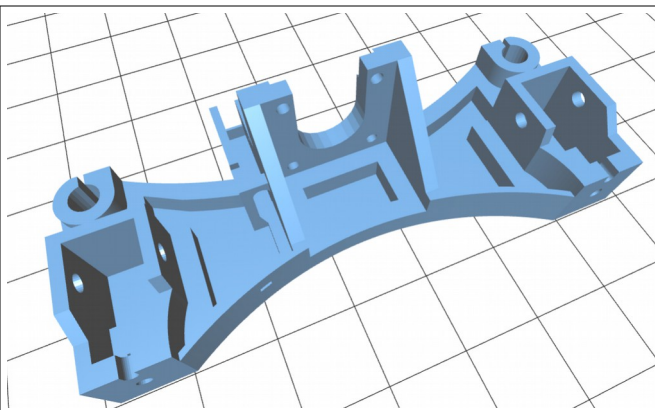
Y-brace.stl (4)



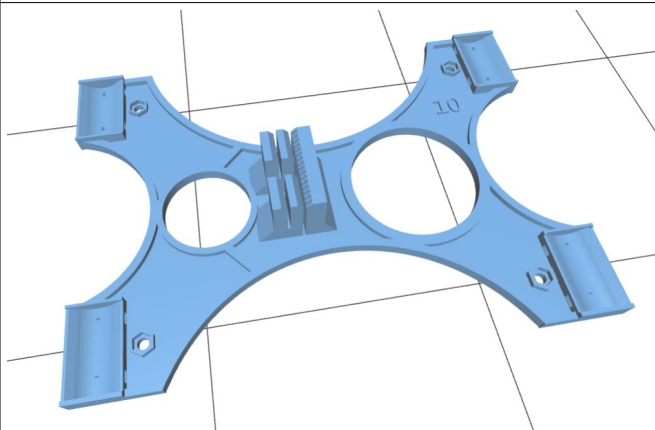
Y-idler.stl



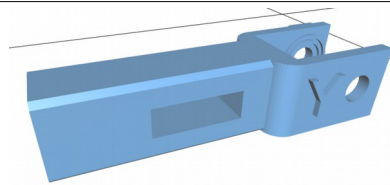
Y-motor.stl



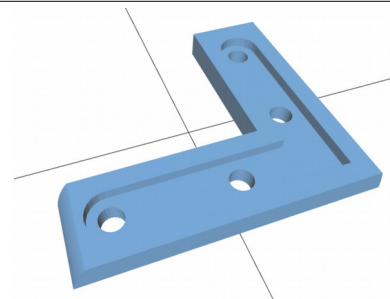
Y-table-10.stl



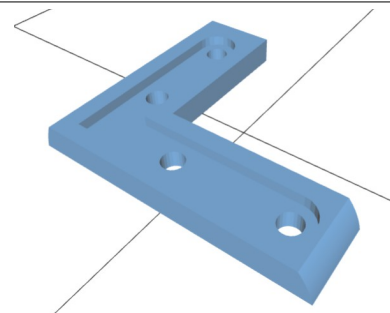
Y-tensioner.stl



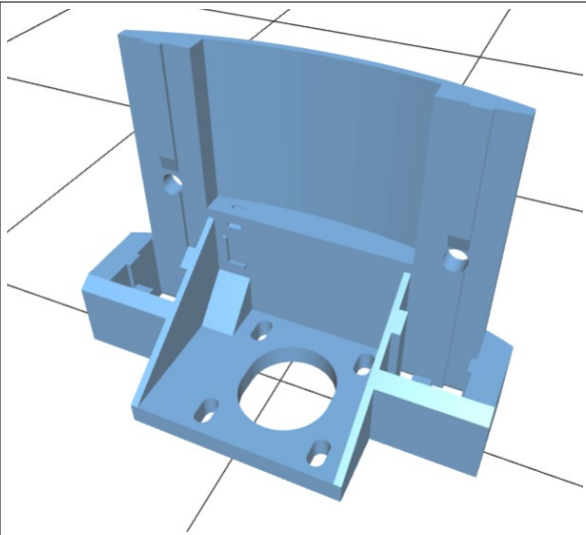
z-lower-brace-1.stl (2)



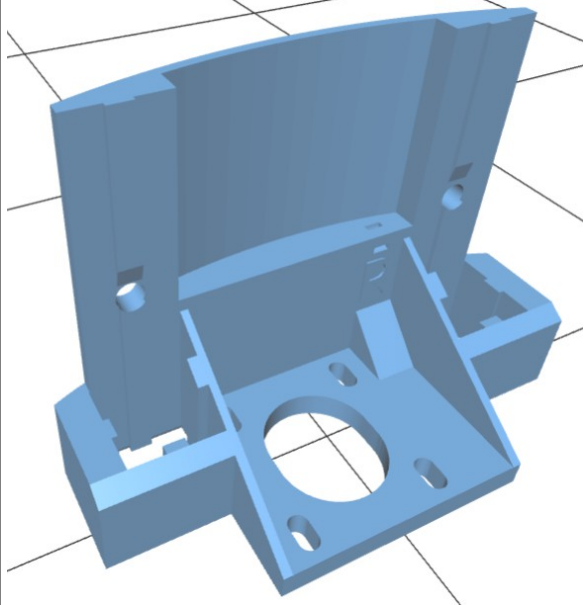
z-lower-brace-2.stl (2)



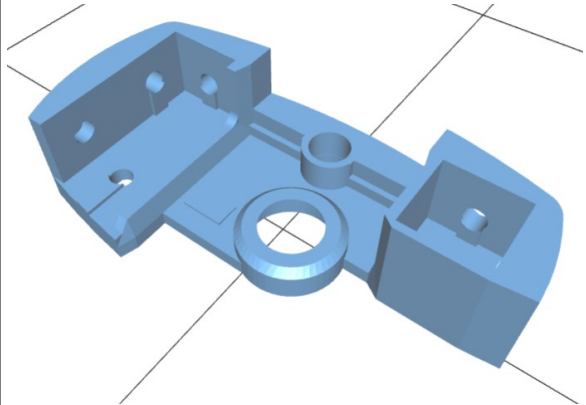
Z-motor-left.stl



Z-motor-right.stl



Z-top-left.stl



Z-top-right.stl

