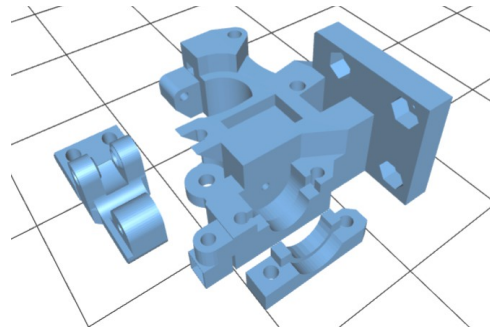
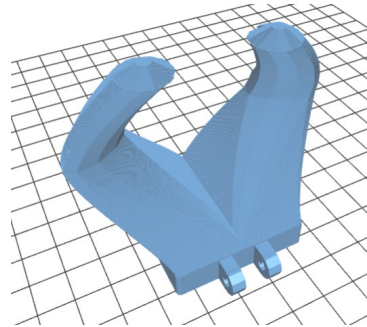


Wilson II Printed parts guide

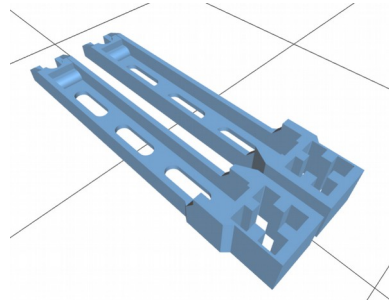
Extruder-direct-drive.stl
(3 pieces)



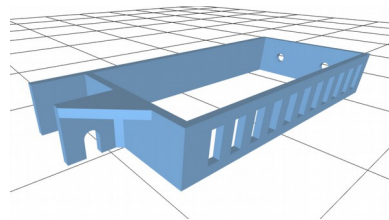
Fanduct-e3d-lite6.stl



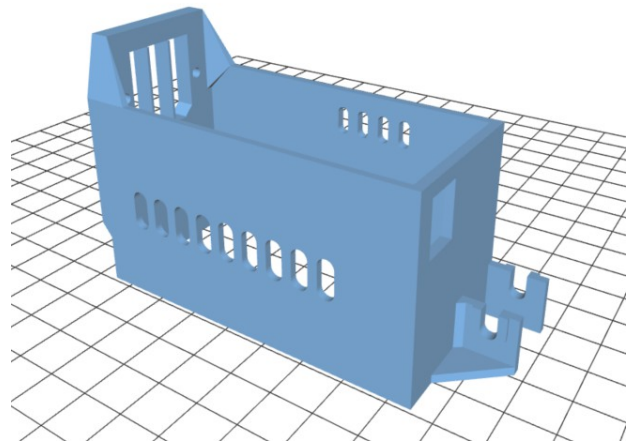
Filament-mount.stl (2 pieces)



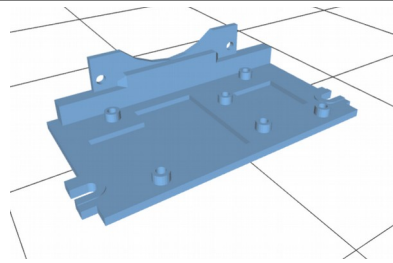
Psu-mount.stl (1)



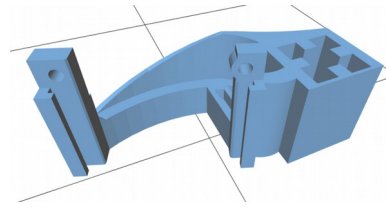
Psu-mount-bottom.stl (1)



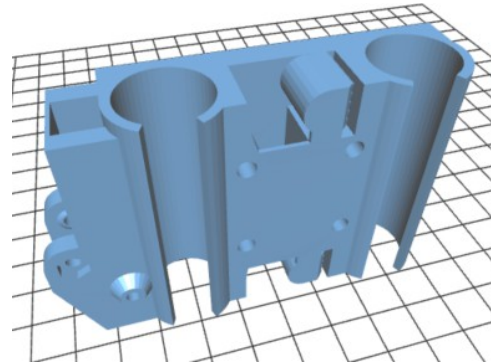
Ramps-mount.stl
(or pica-mount.stl)



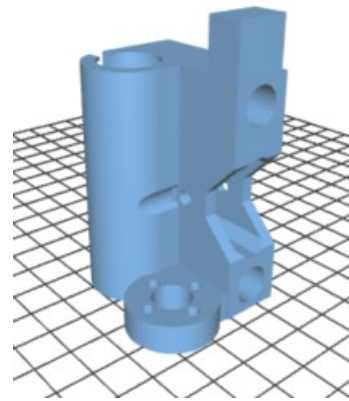
Smartlcd-mount.stl



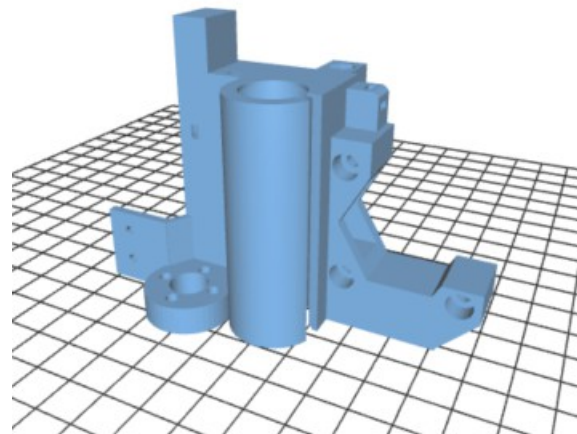
X-carriage.stl



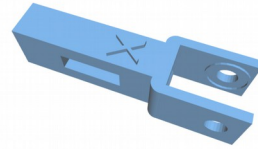
X-end-idler.stl



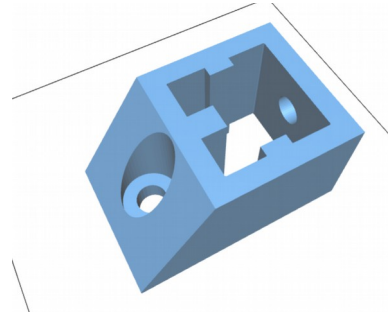
X-end-motor.stl



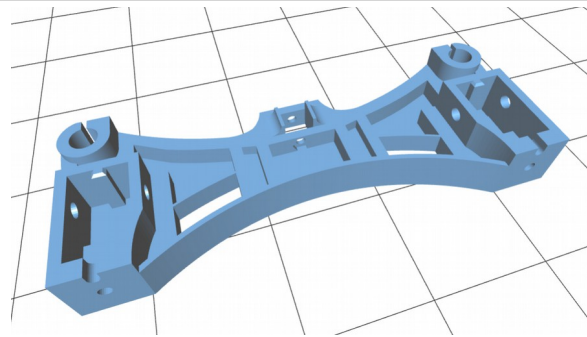
X-tensioner.stl



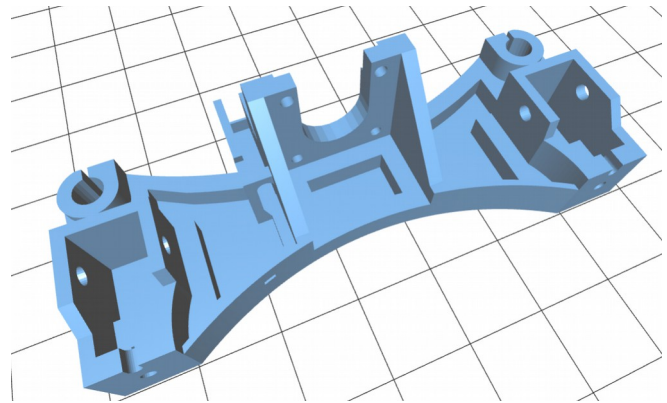
Y-brace.stl (4)



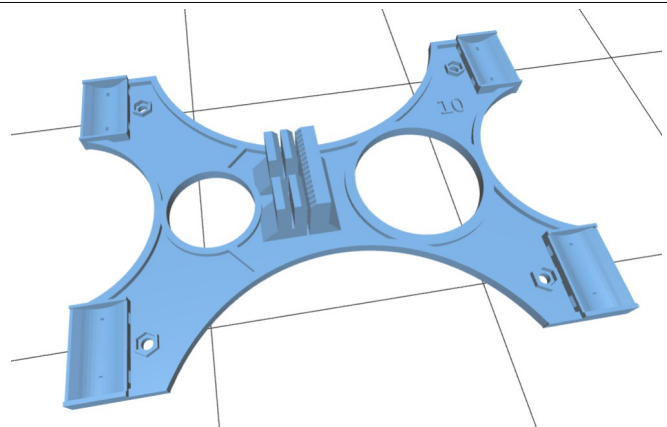
Y-idler.stl



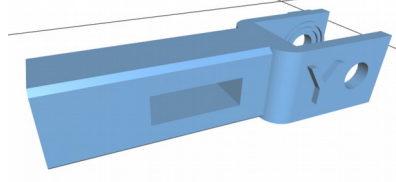
Y-motor.stl



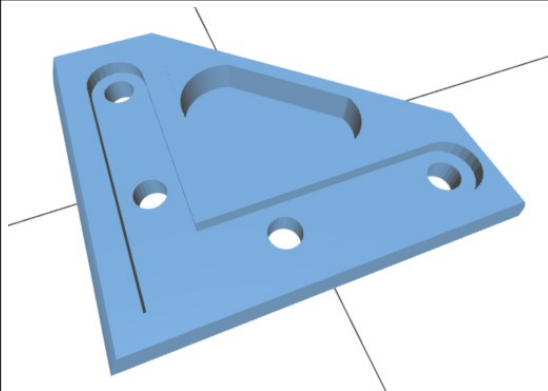
Y-table-10.stl



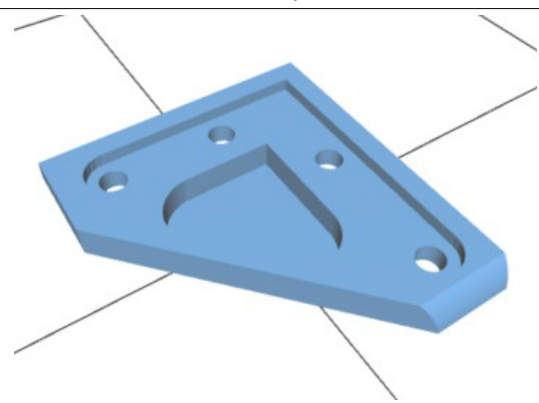
Y-tensioner.stl



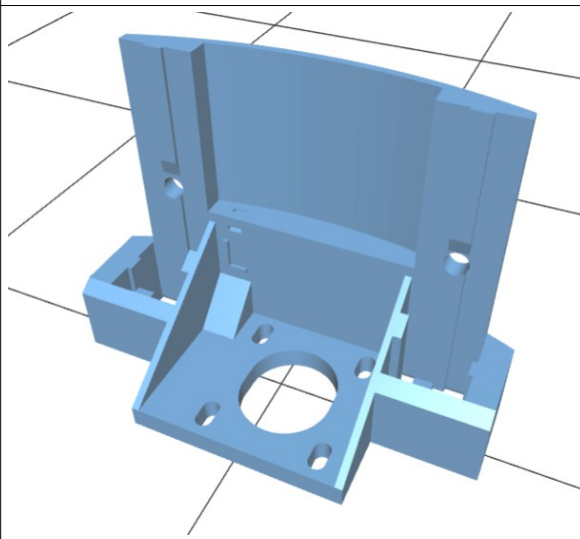
Z-lower-brace-1.stl (2)



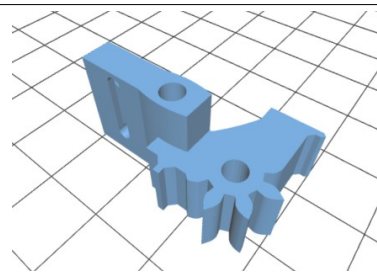
Z-lower-brace-2.stl (2)



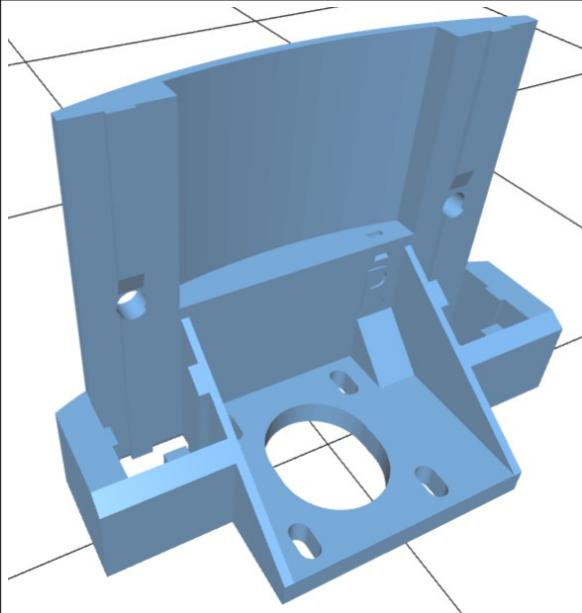
Z-motor-left.stl



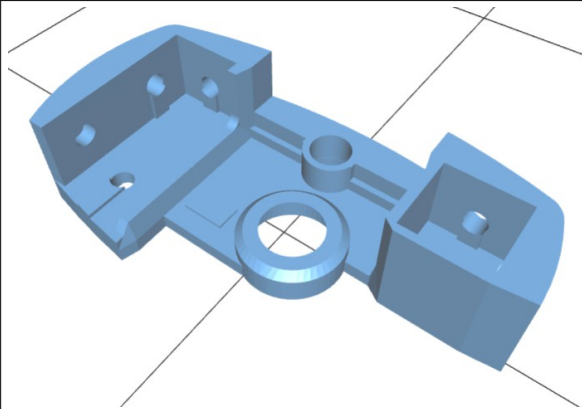
Z-pinion.stl



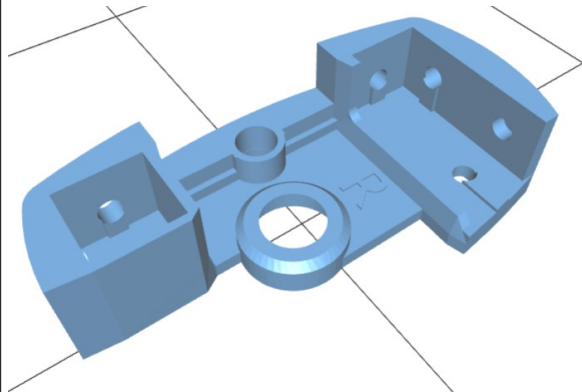
Z-motor-right.stl



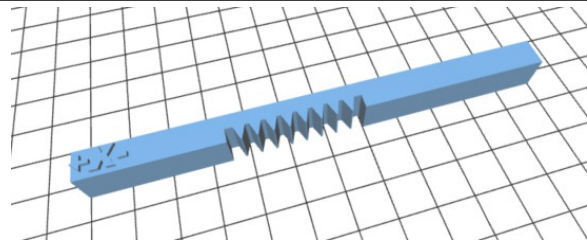
Z-top-left.stl



Z-top-right.stl



Z-rack.stl



Coupler-5x8.stl (2)

